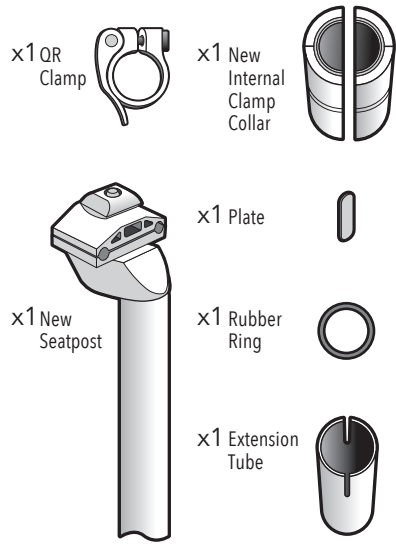


# REMIDEMI QUICK RELEASE SEAT CLAMP AND POST KIT INSTALLATION

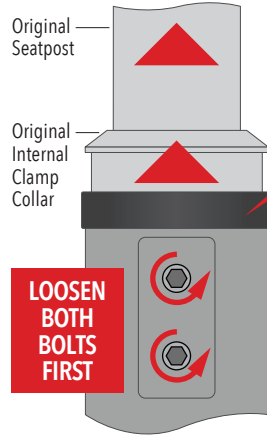
For Benno® RemiDemi EVO 1 (Steel Frame)

**READ CAREFULLY BEFORE INSTALLATION AND USAGE. TO BE INSTALLED BY MECHANIC AT AUTHORIZED BENNO DEALER.**

## Hardware



**IMPORTANT: Notes to mechanic:** See Instructions. Install Benno RemiDemi Quick Release Seat Clamp and Post Kit only on compatible Benno RemiDemi models. Use only original hardware (included) and pre-drilled holes and fittings. Do not mount Quick Release Seat Clamp and Post Kit to damaged bikes. Do not modify any parts or bikes, change position or drill new holes as this will void any warranties and/or claims for liability.



**DO NOT REMOVE THIS RING CAP**

**LOOSEN BOTH BOLTS FIRST**

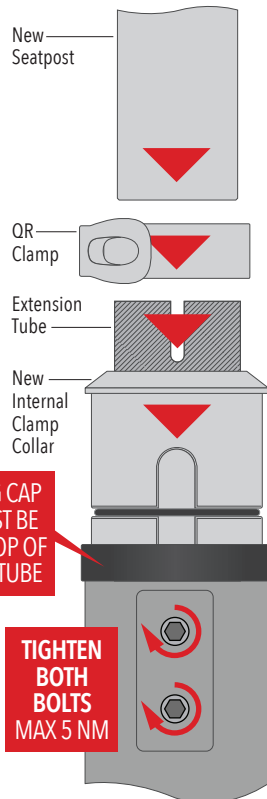
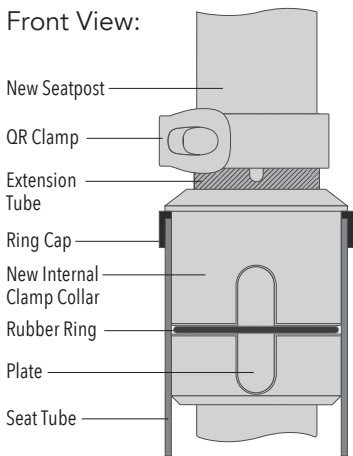
1. Loosen both bolts on upper seat tube.
2. Remove Original Seatpost and Original Internal Clamp Collar (incl. Plate and Rubber Ring).
3. Assemble New Internal Clamp Collar (**Step 1,2**).

4. Insert New Internal Clamp Collar (with Plate and Rubber Ring) into the seat tube.
5. Insert Extension Tube into the New Internal Clamp Collar until it stops with Slots facing front and rear of bike (**Step 3**).

6. Tighten both bolts on upper seat tube until Extension Tube is firmly secured (**max 5 Nm**).
7. Slide open QR Clamp over the top of the Extension Tube until it stops (**Step 4**).

8. Insert New Seatpost through the QR Clamp into the Extension Tube. Adjust height as needed and tighten the QR Clamp until New Seatpost is firmly tightened and cannot rotate or slide up or down.

## Section Front View:



**RING CAP MUST BE ON TOP OF SEAT TUBE**

**TIGHTEN BOTH BOLTS MAX 5 NM**

