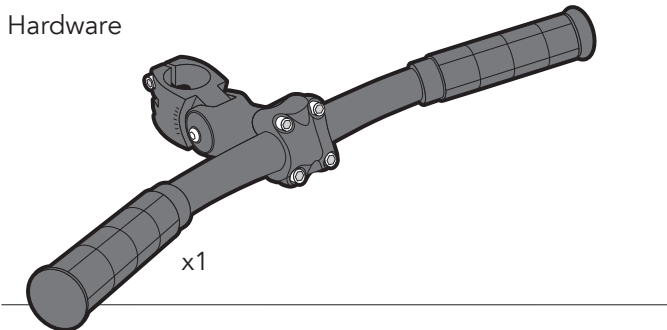


# PASSENGER BAR KIT INSTALLATION

For Benno® Boost EVO 4 and later, 46er, RemiDemi and RemiDemi XL

READ CAREFULLY BEFORE INSTALLATION AND USAGE. TO BE INSTALLED BY MECHANIC AT AUTHORIZED BENNO DEALER.

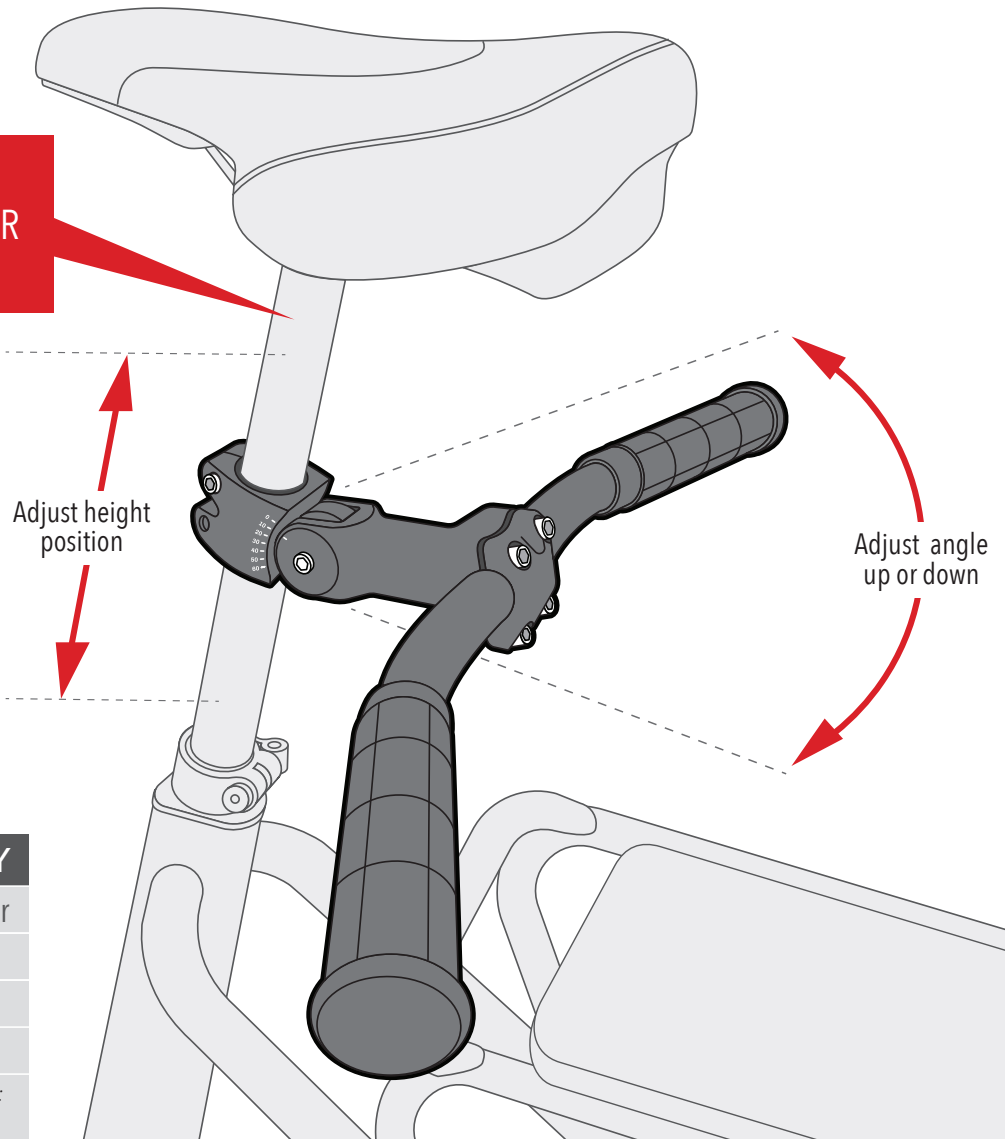
Hardware



**IMPORTANT:** *Notes to mechanic:* See Instructions. Install Benno Passenger Bar Kit only on compatible Benno Bike models. Use only original hardware (included) and pre-drilled holes and fittings. Do not mount Passenger Bar Kit to damaged bikes. Do not modify any parts or bikes, change position or drill new holes as this will void any warranties and/or claims for liability.

*Notes to owner:* Periodically check to make sure all nuts and bolts remain tightened as vibrations may loosen them. Ensure that all needed passenger accessories remain on the bike while carrying passengers. See WARNING! on back for more information.

**IMPORTANT: FITS 30.9 MM DIAMETER SEATPOSTS.**



## COMPATIBILITY

**BOOST** EVO 4 and later

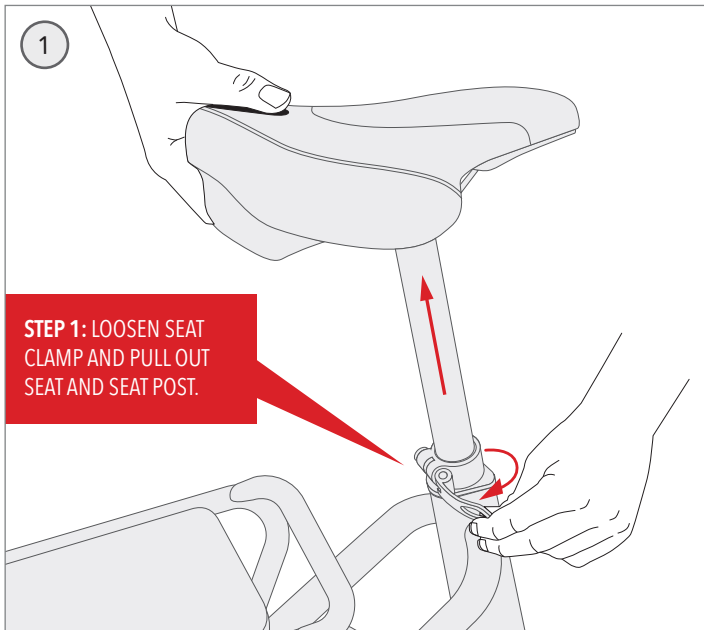
**46ER**

**REMIDEMI**

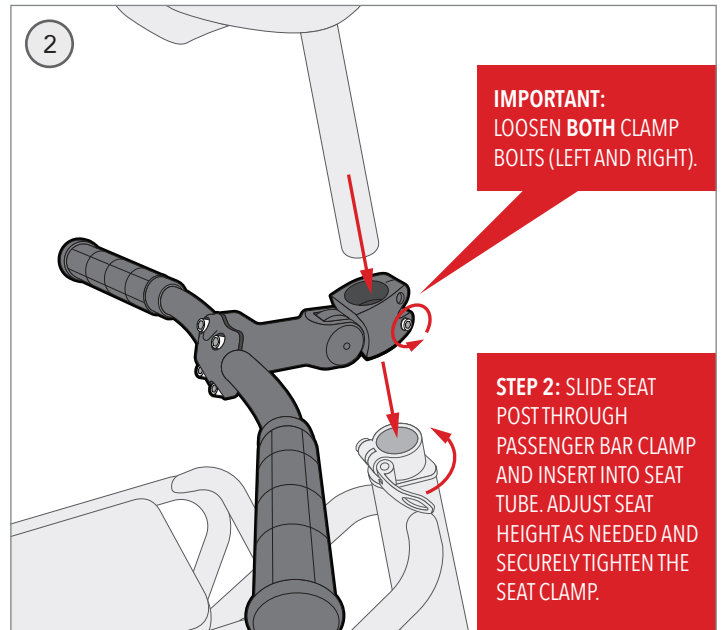
**REMIDEMI XL**

FOR BOOST **EVO**LUTION FINDER GO TO:  
[BENNOBIKES.COM/EVOLUTION](http://BENNOBIKES.COM/EVOLUTION)

EVO (evolution) replaces model years and refers to design generations.

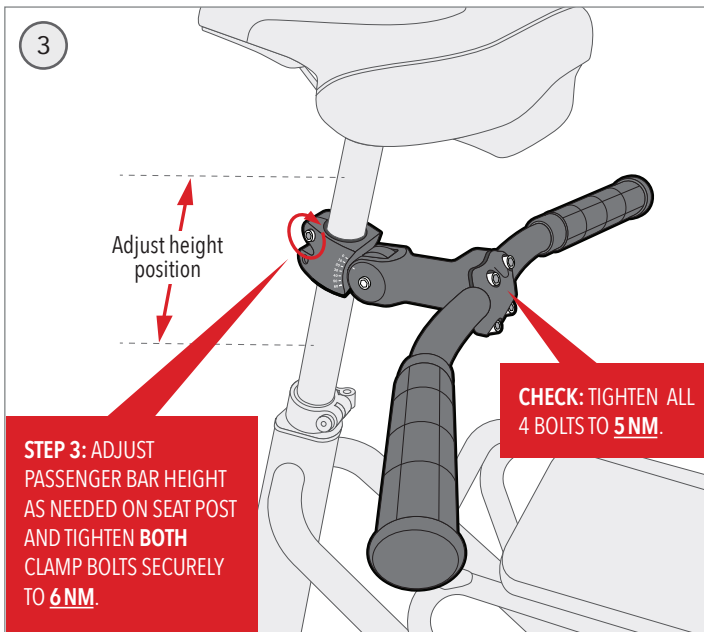


**STEP 1:** LOOSEN SEAT CLAMP AND PULL OUT SEAT AND SEAT POST.



**IMPORTANT:** LOOSEN **BOTH** CLAMP BOLTS (LEFT AND RIGHT).

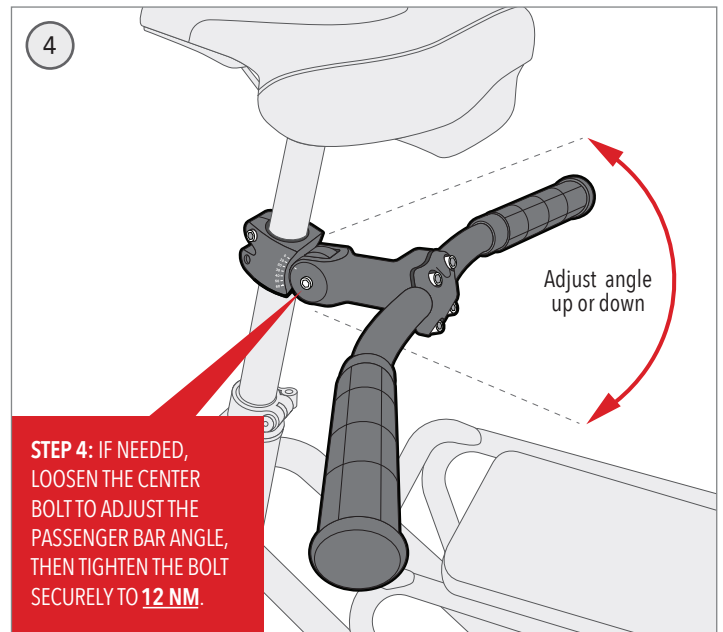
**STEP 2:** SLIDE SEAT POST THROUGH PASSENGER BAR CLAMP AND INSERT INTO SEAT TUBE. ADJUST SEAT HEIGHT AS NEEDED AND SECURELY TIGHTEN THE SEAT CLAMP.



Adjust height position

**CHECK:** TIGHTEN ALL 4 BOLTS TO **5 NM**.

**STEP 3:** ADJUST PASSENGER BAR HEIGHT AS NEEDED ON SEAT POST AND TIGHTEN **BOTH** CLAMP BOLTS SECURELY TO **6 NM**.



Adjust angle up or down

**STEP 4:** IF NEEDED, LOOSEN THE CENTER BOLT TO ADJUST THE PASSENGER BAR ANGLE, THEN TIGHTEN THE BOLT SECURELY TO **12 NM**.

**WARNING!**

**REAR WHEEL MUST BE COVERED!**

**INSTALL PASSENGER ACCESSORIES BEFORE CARRYING PASSENGERS!**

**FAILURE TO DO SO COULD RESULT IN SERIOUS INJURY!**



**MUST INSTALL**

- RAIL or PASSENGER BAR
- RACK PADS
- WHEEL GUARDS or designated PANNIER BAGS\*
- SIDELoader

**WHEN CARRYING PASSENGERS, REAR WHEEL MUST BE COVERED! INSTALL BENNO WHEEL GUARDS OR DESIGNATED BENNO PANNIER BAGS\*, RAIL OR PASSENGER BAR, RACK PADS AND SIDELoader. FAILURE TO DO SO COULD RESULT IN SERIOUS INJURY!** MAKE SURE THAT NO PARTS OF THE BODY OR CLOTHING COME NEAR MOVING PARTS ON THE BICYCLE, SUCH AS CHAIN, SPOKES, TIRES OR BRAKES. PASSENGERS MUST BE ABLE TO SECURELY HOLD THEMSELVES ON THE BIKE. DO NOT EXCEED TOTAL MAX GROSS WEIGHT OF THE BIKE AND/OR RACK MAX LOAD.

\* Benno bike model specific pannier bags with full rear wheel coverage. See [bennobikes.com](http://bennobikes.com) for compatibility information.