

# BOOST POLY WHEEL GUARD INSTALLATION FOR RACK #3

For Benno® Boost with Utility Rear Rack #3

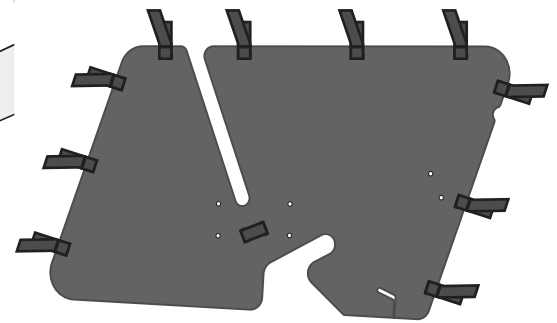
**READ CAREFULLY BEFORE INSTALLATION AND USAGE. TO BE INSTALLED BY MECHANIC AT AUTHORIZED BENNO DEALER.**

**IMPORTANT!**  
INSTALL BENNO WHEEL GUARDS OR UTILITY PANNIER BAGS ON **BOTH SIDES** BEFORE CARRYING PASSENGERS!  
FAILURE TO DO SO COULD RESULT IN SERIOUS INJURY!

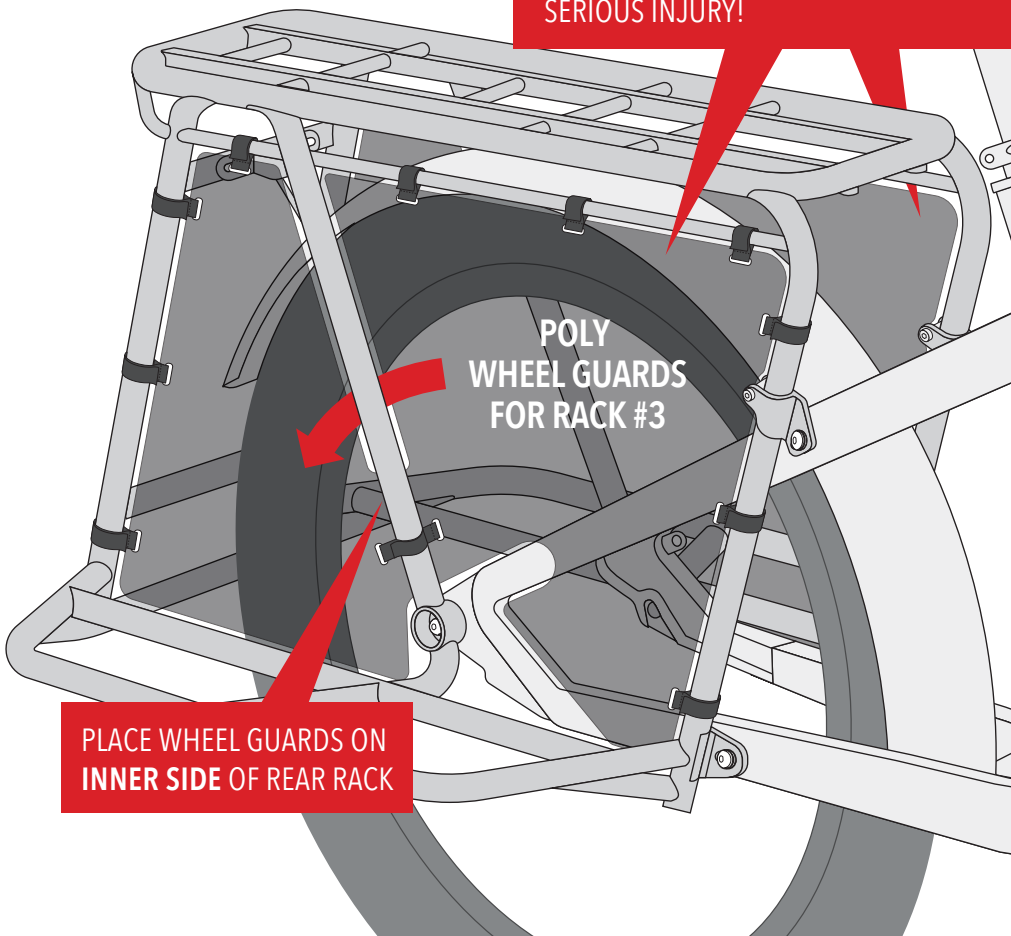
**IMPORTANT:** *Notes to mechanic:* See Instructions. Install Benno Boost Poly Wheel Guard Set Rack #3 only on Benno Boost models with Utility Rear Rack #3. Use only original included guards and attachment straps. Do not mount to damaged bikes or racks. Do not modify wheel guards, racks or bikes, change position or drill new holes as this will void any warranties and/or claims for liability.

*Notes to owner:* Periodically check to make sure wheel guards and attachment straps remain tight as vibrations may loosen them. Ensure that either Benno Wheel Guards or Utility Pannier Bags remain on the bike while carrying passengers.

Included:



x2 (1x Left and 1x Right)



PLACE WHEEL GUARDS ON INNER SIDE OF REAR RACK

POLY WHEEL GUARDS FOR RACK #3

**benno**

WWW.BENNOBIKES.COM/SUPPORT/BOOST\_POLY\_WHEEL\_GUARD\_RACK\_3  
BOOST\_POLY\_WHEEL\_GUARD\_INSTALLATION\_MANUAL\_FOR\_RACK\_3\_SEP23  
COPYRIGHT 2022 BENNO® BIKES LLC

**WARNING!**

**REAR WHEEL MUST BE COVERED!**

**INSTALL PASSENGER ACCESSORIES BEFORE CARRYING PASSENGERS!**

**FAILURE TO DO SO COULD RESULT IN SERIOUS INJURY!**



**MUST INSTALL**

- RAIL or PASSENGER BAR
- RACK PADS
- WHEEL GUARDS or UTILITY PANNIER BAGS

**WHEN CARRYING PASSENGERS, REAR WHEEL MUST BE COVERED! INSTALL BENNO WHEEL GUARDS OR UTILITY PANNIER BAGS, RAIL OR PASSENGER BAR AND RACK PADS. FAILURE TO DO SO COULD RESULT IN SERIOUS INJURY!** MAKE SURE THAT NO PARTS OF THE BODY OR CLOTHING COME NEAR MOVING PARTS ON THE BICYCLE, SUCH AS CHAIN, SPOKES, TIRES OR BRAKES. PASSENGERS MUST BE ABLE TO SECURELY HOLD THEMSELVES ON THE BIKE. DO NOT EXCEED TOTAL MAX GROSS WEIGHT OF THE BIKE AND/OR RACK MAX LOAD.