

46ER POLY WHEEL GUARD INSTALLATION

For Benno® 46er

COMPATIBILITY

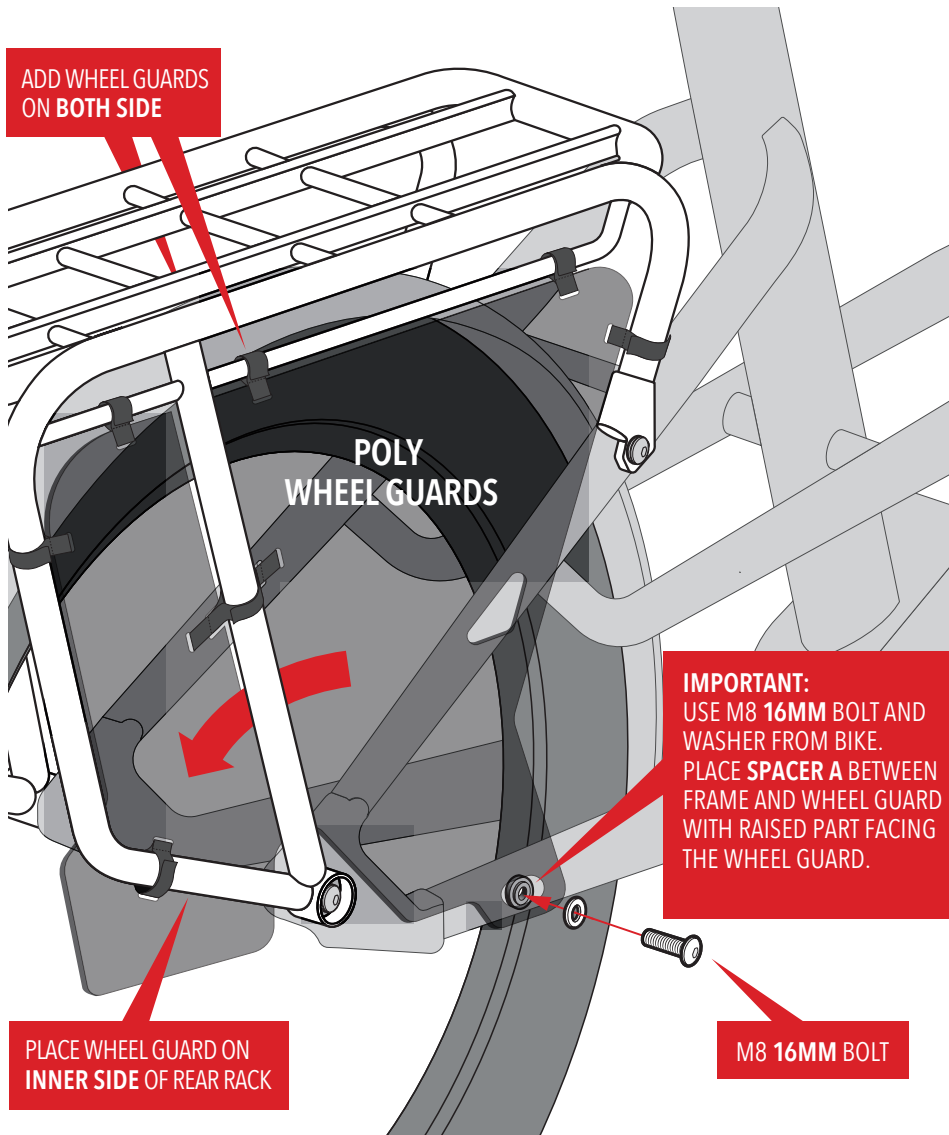
46ER

EVO (evolution) replaces model years and refers to design generations.

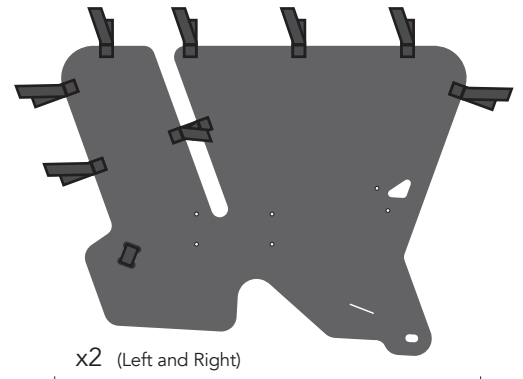
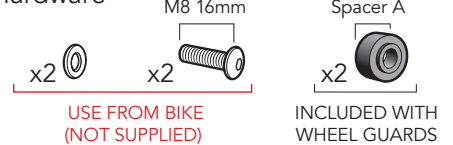
READ CAREFULLY BEFORE INSTALLATION AND USAGE. TO BE INSTALLED BY MECHANIC AT AUTHORIZED BENNO DEALER.

IMPORTANT: Notes to mechanic: See Instructions. Install Benno 46er Poly Wheel Guards only on compatible Benno 46er models. Use only original (included) hardware and pre-drilled holes and fittings. Do not mount 46er Poly Wheel Guards to damaged bikes or racks. Do not modify wheel guards, racks or bikes, change position or drill new holes as this will void any warranties and/or claims for liability.

Notes to owner: Periodically check to make sure all bolts and Velco straps remain tight as vibrations may loosen them. Ensure that either Benno Wheel Guards or Utility Pannier Bags remain on the bike while carrying passengers.



Hardware



benno

WWW.BENNOBIKES.COM/SUPPORT/46ER_POLY_WHEEL_GUARD
46ER_POLY_WHEEL_GUARD_INSTALLATION_MANUAL_JULY22
COPYRIGHT 2022 BENNO® BIKES LLC

WARNING!

REAR WHEEL MUST BE COVERED!

INSTALL BENNO WHEEL GUARDS OR UTILITY PANNIER BAGS **BEFORE CARRYING PASSENGERS.**

FAILURE TO DO SO COULD RESULT IN SERIOUS INJURY!



WHEN CARRYING PASSENGERS, REAR WHEEL MUST BE COVERED! INSTALL BENNO WHEEL GUARDS OR UTILITY PANNIER BAGS. FAILURE TO DO SO COULD RESULT IN SERIOUS INJURY! MAKE SURE THAT NO PARTS OF THE BODY OR CLOTHING COME NEAR MOVING PARTS ON THE BICYCLE, SUCH AS CHAIN, SPOKES, TIRES OR BRAKES. DO NOT EXCEED MAX LOAD INDICATED ON RACK.